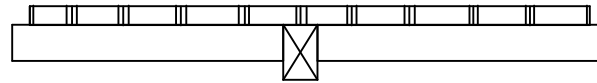


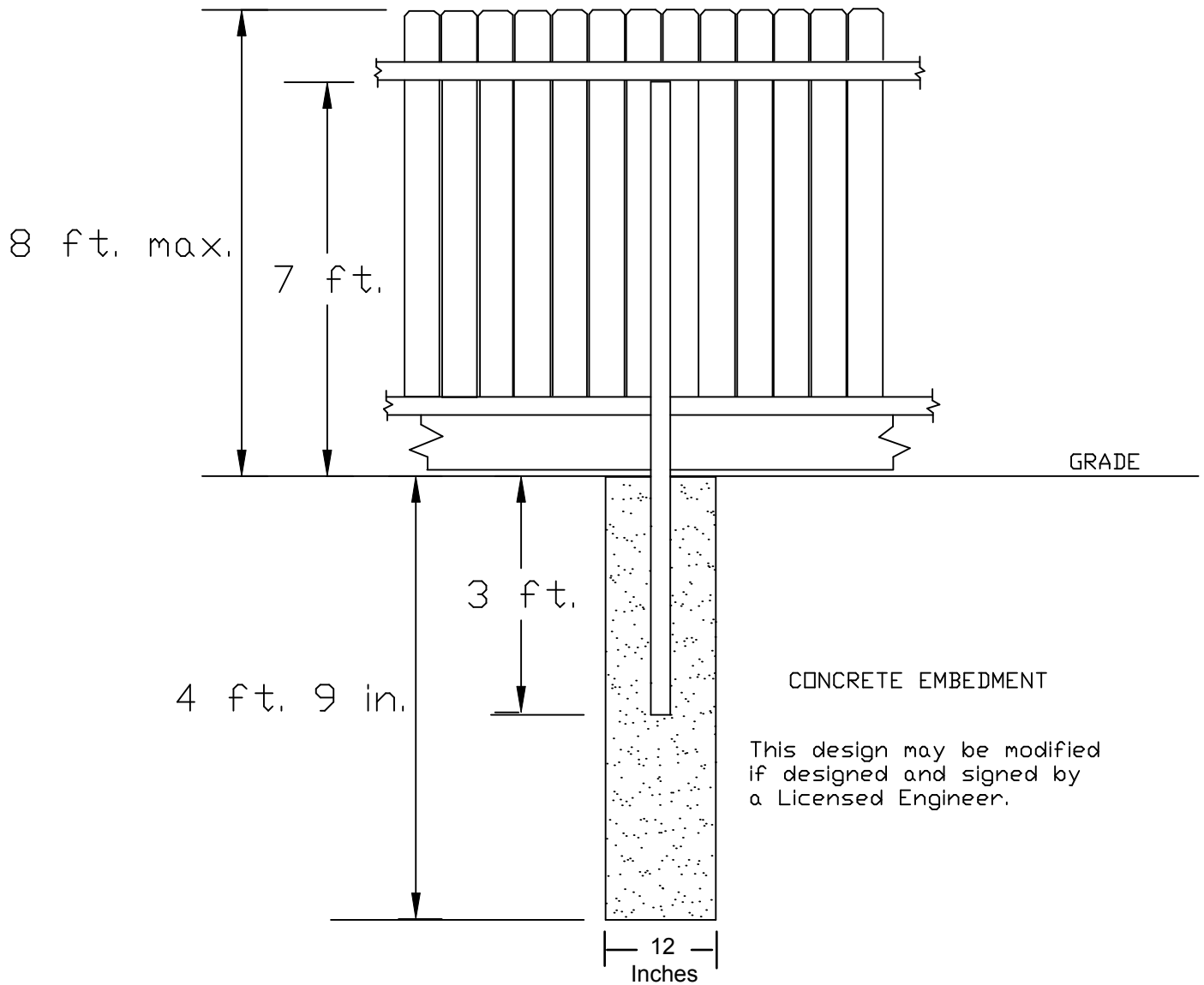
## 8 - FOOT FENCE DESIGN DETAILS

(Design from 1982 Uniform Building Code, Chapters 23 and 29 - Table No 29 -B)



PLAN VIEW

4 x 6 post  
Redwood No.1 or better 8 ft. □  
center to center.



This design may be modified  
if designed and signed by  
a Licensed Engineer.